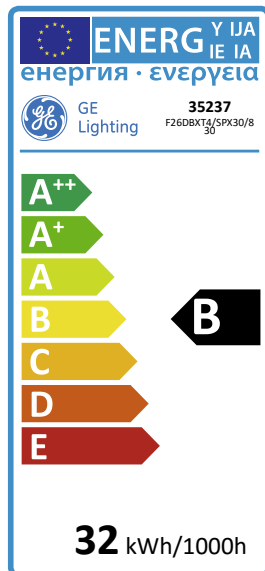




GE  
Lighting



32  
kWh/1000h

B  
energy class

69  
lumens/watt

## Biax™ D 2-pin, Internal Starter

F26DBXT4/SPX30/830

# 35237

### Product information

Biax™ D & D/E LongLast™ lamps are available in 10, 13, 18 and 26 watt ratings, 10 and 13W in T3 tube size, 18 and 26W in T4 tube size and ranging from 101mm to 174mm in length. Five colours are available in two-pin and four-pin caps. A high colour rendering index (CRI) of 82 gives rich, vibrant colour.

The lamps are available in warm and cool colour temperatures suitable for a wide variety of environments.

### Application areas



Office



Industrial



## Product data

Product Code	35237
Bulb Shape	Quad plug-in
Bulb maximum overall diameter [mm]	34.4
Maximum Overall Length [mm]	169.5
Net weight per piece [g]	75
Gross weight per piece [g]	94
Operating position	U - Universal
Mercury Content [mg]	3
UV radiance	exempt
Brand	General Electric (GE)
Cap/Base	G24d-3

## Performance data

Colour Code	830
Weighted energy consumption [kWh/1000h]	31.35
Energy efficiency class (EEC)	B
Rated Life [h]	10000
Nominal correlated colour temperature (CCT) [K]	3000
Nominal lumens [lm]	1800
Colour Rendering Index (CRI) [Ra]	82

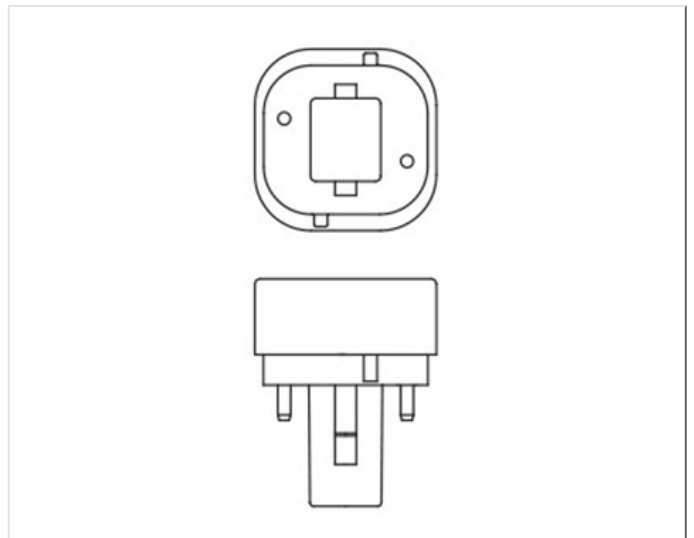
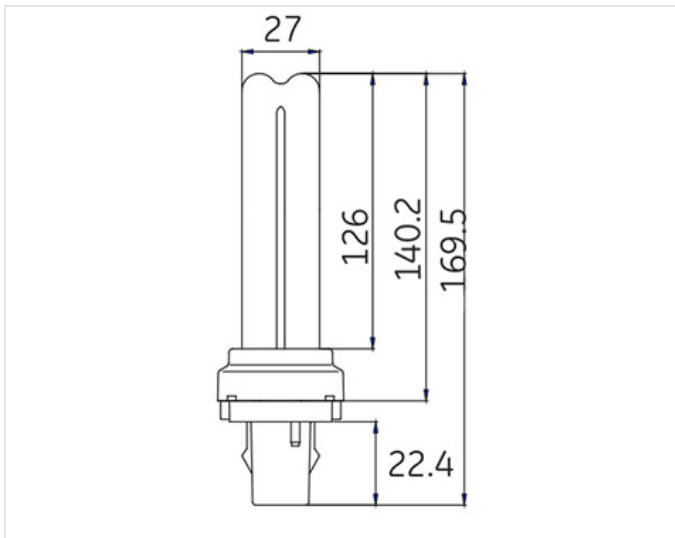
## Electrical data

Operating Temperature (MIN) [°C]	-15
Starting ambient temperature range	-15
Dimming Capability	No
Nominal power [W]	26
Nominal lamp voltage [V]	105

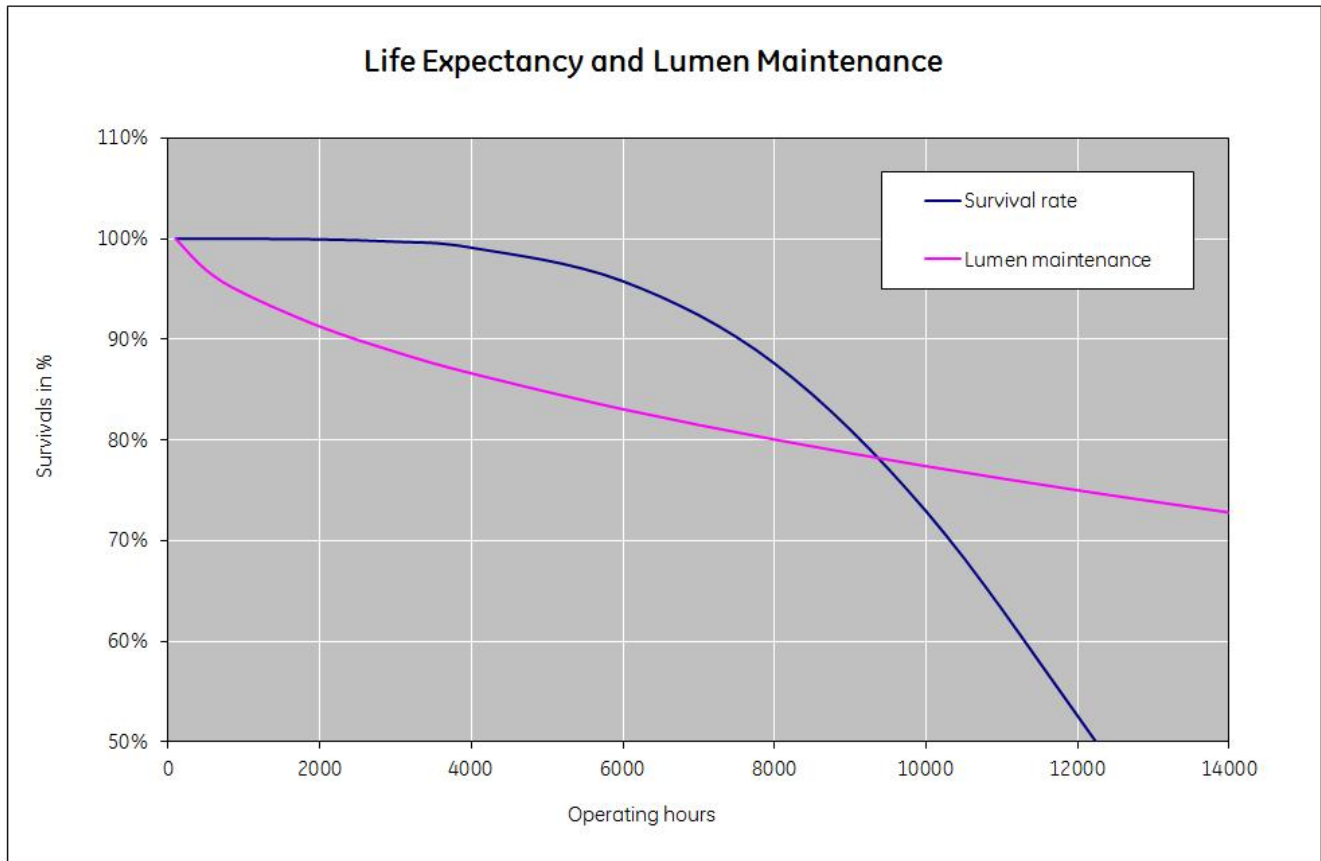
## Logistic data

DUN Code	30043168352377
EAN Code	0043168352376
Pack Quantity	10
Layer quantity	600 EUR, 750 UK
Layer quantity EUR	600
Layer quantity UK	750
Pallet quantity EUR (PC)	3000
Pallet quantity UK (PC)	3750
Outer case size	191 x 82 x 187 (mm)
Product status	Available

## Technical drawing



## Survival data



## Downloads & Links

[Go to the catalog site \(HTTP\)](#)

[CFL Non-Integrated Spectrum Catalogue \(PDF\)](#)

[LongLast™ Biax™ D and D/E Data sheet \(PDF\)](#)

[Lighting design tools & calculators \(HTTP\)](#)

[Disposing and Cleaning of CFL Lamps \(HTTP\)](#)

[Certificate for the Quality Management System of GE Lighting EMEA \(PDF\)](#)

[Certificate for the Environmental Management System of GE Lighting EMEA \(PDF\)](#)