



GE
Lighting



Mariner 5

NL MARINER 5 135T5EB R LL 220-240 GE

76972

Product information

Standard surface mounted waterproof created for **T5 lamps**. Fitted with electronic ballast as standard. Slim profile luminaire, supplied in single and twin lamp versions for installations. IP65 rated, where effective protection against contamination from water or accidental damage are major considerations for the end-user. Neutral aesthetic renders the product suitable for applications in both commercial and residential environments as well as industrial environments.

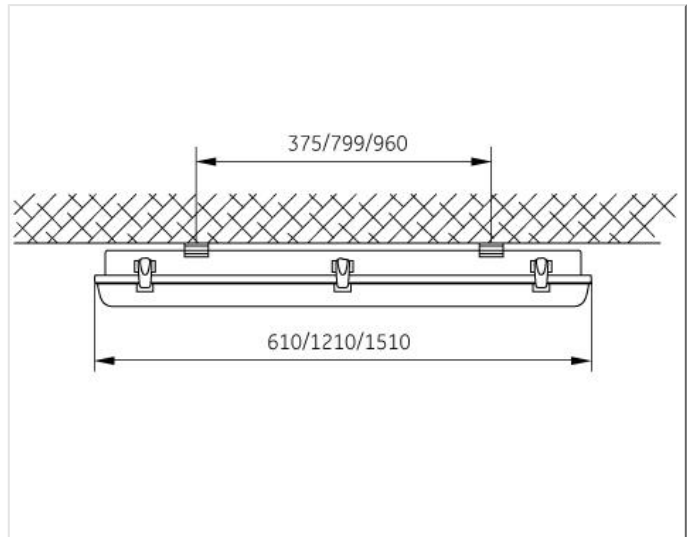
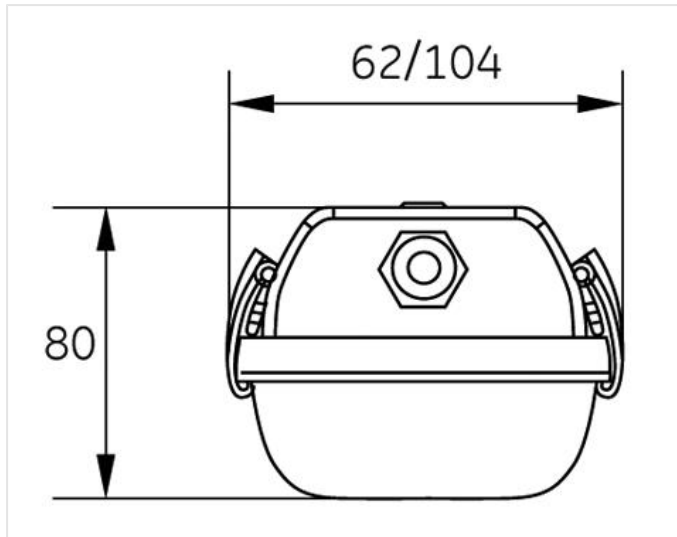
Specifications

Dimmability	NO
IP optical compartment	IP65
IP electrical compartment	IP65
Weight [kg]	1,38
Mounting type	Surface mounted
Lamp type	Linear Fluorescent
Number of light sources	1
Impact resistance	IK07
Class	Class I
Operating temperature [°C]	25
Regulations	Ecodesign, RoHs, REACH, Low Voltage Directive
Certifications	CE & ENEC
Pack quantity	1
Body Colour	Grey
Total system power [W]	39.52
Product status	Available

Application areas



Technical drawing



Downloads & Links

[Go to the catalog site \(HTTP\)](#)

[Installation Guide \(PDF\)](#)

[High-resolution image \(HTTP\)](#)

[Traditional Indoor Luminaires Spectrum Catalogue \(PDF\)](#)

[Mariner 5 Indoor Luminaires Data sheet \(EN\) \(PDF\)](#)

[Lighting design tools & calculators \(HTTP\)](#)

Photometric Data

