

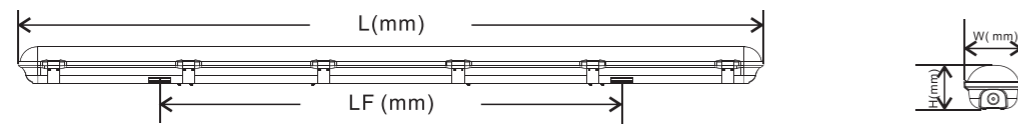
# JULIE LED IP65



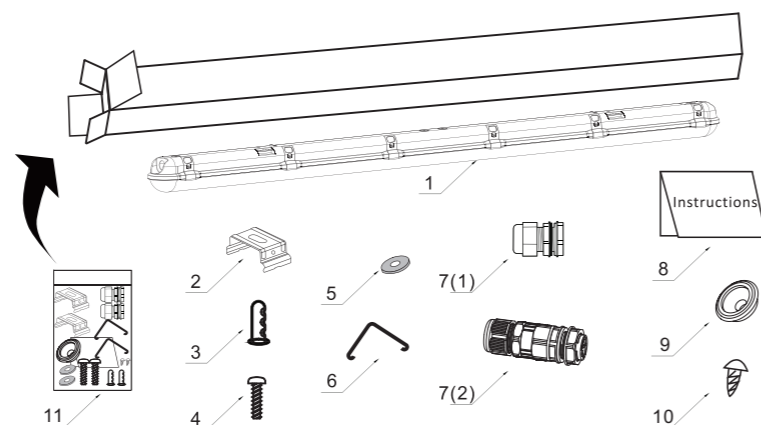
EN	Installation Instructions	HR	Uputstvo za montažu	SE	Installationsanvisning
DE	Montageanleitung	NL	Montagehandleiding	RU	Инструкция по монтажу
CZ	Montážní návod	RO	Instructiuni de montaj	SRB	Instrukcija za instalaciju
DK	Monteringsvejledning	IT	Istuzioni di montaggio	SK	Montážny návod
EE	Paigaldusjuhend	LT	Montavimo Instrukcijos	SLO	Navodilo za montažo
FI	Asennusohje	LV	Instalācijas instrukcija	CN	安装说明书
FR	Notice de montage	NO	Monteringsanvisning		
HU	Szerelési útmutató	PL	Instrukcja montażu		

1. Installation and commissioning may only be carried out by authorized specialists and wired in accordance with the latest IEE electrical regulations or the national standards.
  2. Mains power must be switched off before carrying out installation.
  3. The manufacturer, shall not be liable for any damage resulting from inappropriate modifications to the luminaire or faulty installation.
  4. The light source contained in this luminaire shall only be replaced by the manufacturer or his service agent or a similar qualified person.
  5. Caution, risk of electric shock.
- The control gear provides basic insulation between the LV supply and the control circuit

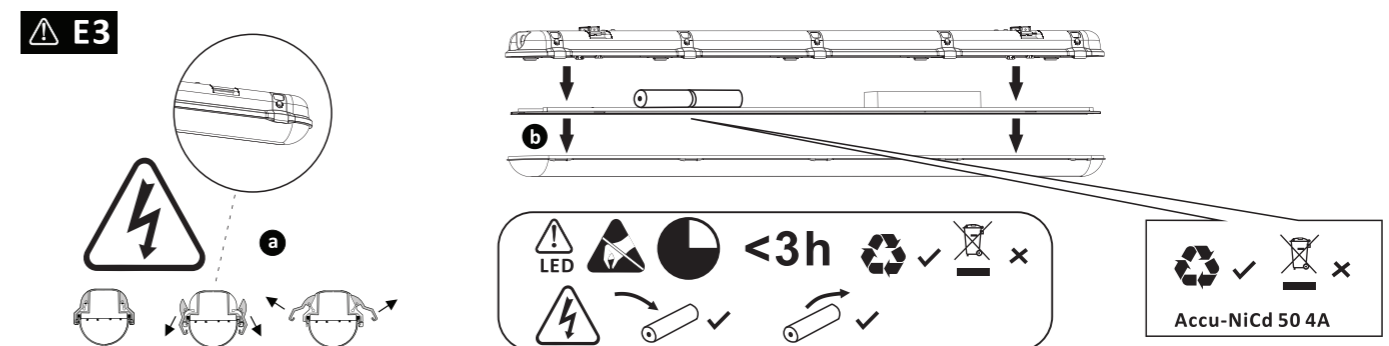
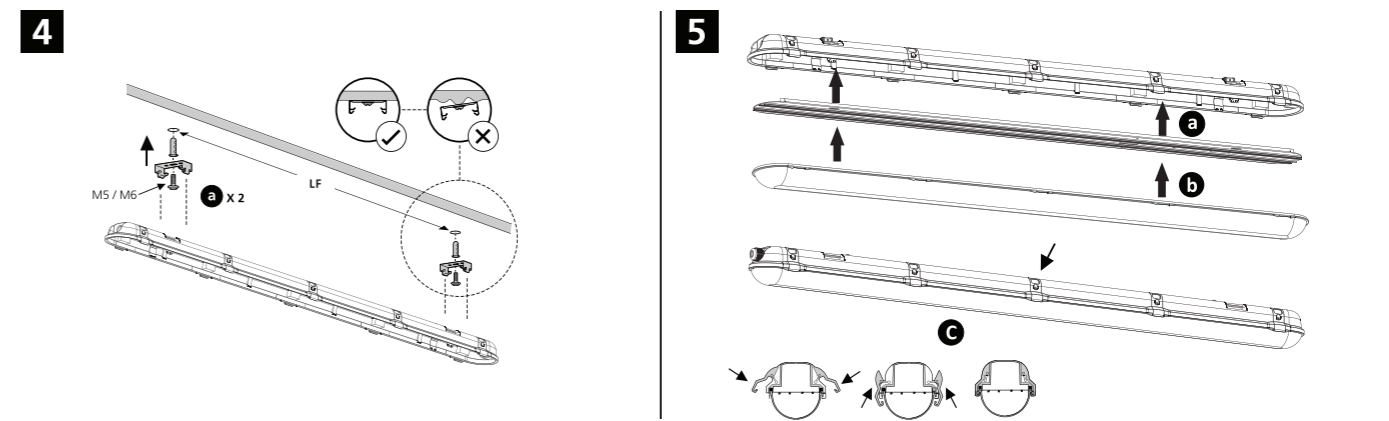
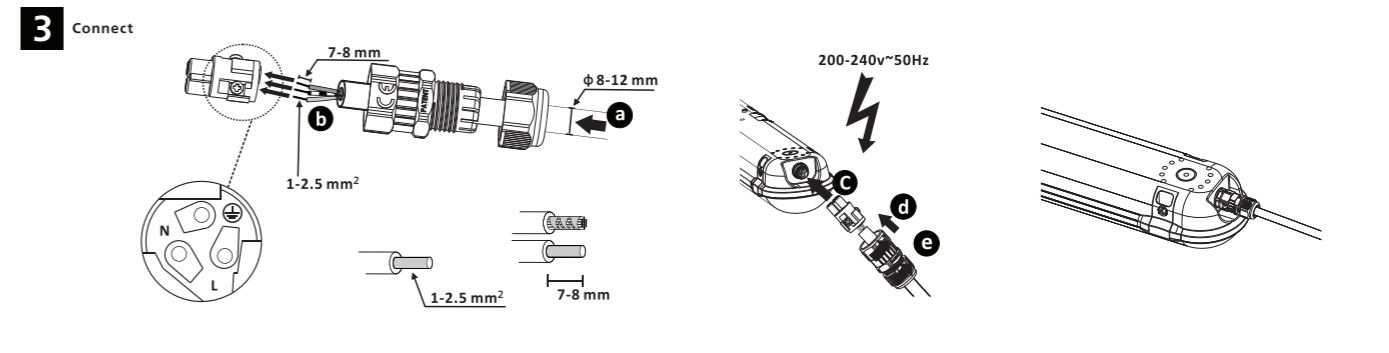
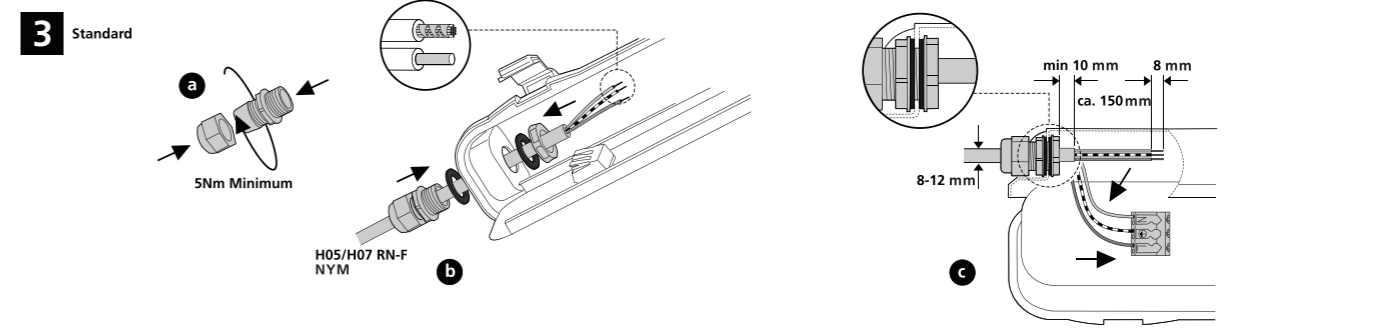
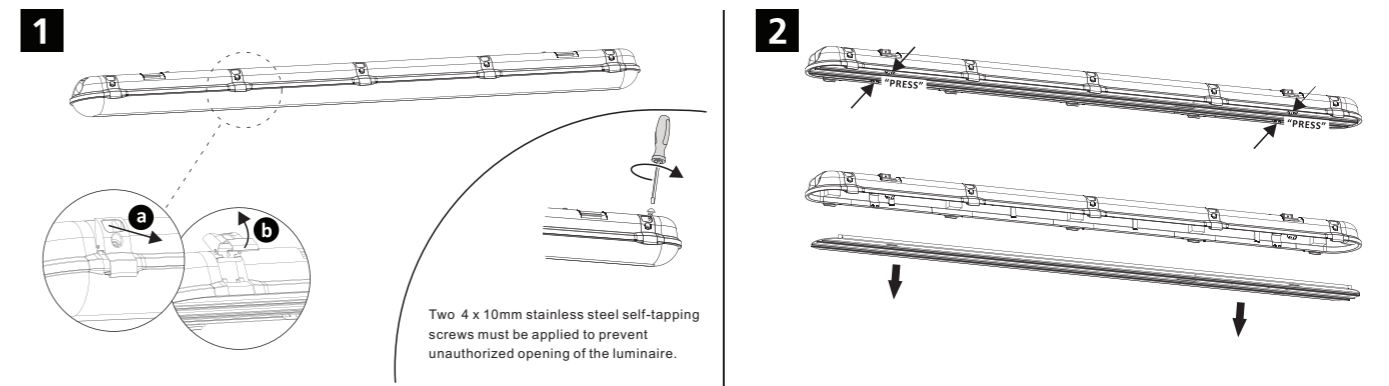
Product Description	Wattage	SAP Code	L	W	H	LF
JULIE 1200 LED IP65 4000 840	40W	96665577	1232	103	78	900
JULIE 1200 LED IP65 4000 840 CONNECT	40W	96665578	1232	103	78	900
JULIE 1200 LED IP65 4000 840 E3	40W	96665579	1232	103	78	900
JULIE 1500 LED IP65 6000 840	60W	96665580	1532	103	78	950
JULIE 1500 LED IP65 6000 840 CONNECT	60W	96665581	1532	103	78	950
JULIE 1500 LED IP65 6000 840 E3	60W	96665582	1532	103	78	950
JULIE 1500 LED IP65 4000 840	40W	96628396	1532	85	78	950
JULIE 1500 LED IP65 4000 840 E3	40W	96628397	1532	85	78	950
JULIE 1500 LED 50°C IP65 4000 840	40W	96628449	1532	85	78	950
JULIE 600 LED IP65 1800 840	20W	96628548	632	103	78	400
JULIE 1200 LED IP65 4000 840 COR MWS	40W	96630234	1232	103	78	900
JULIE 1500 LED IP65 4000 840 COR MWS	40W	96630235	1532	85	78	950
JULIE 1500 LED IP65 6000 840 COR MWS	60W	96630236	1532	103	78	950
JULIE 1200 LED IP65 4000 840 COR MWS CON	40W	96630237	1232	103	78	900
JULIE 1500 LED IP65 6000 840 COR MWS CON	60W	96630238	1532	103	78	950
JULIE 1500 LED 50°C IP65 6000 840	60W	96630351	1532	103	78	950
JULIE 1800 LED IP65 8000 840	80W	96631143	1800	103	78	1000
JULIE 1800 LED IP65 8000 840 E3	80W	96631144	1800	103	78	1000



1	LED waterproof lighting	X1
2	SS hook	X2
3	plastic expansion	X2
4	Round head self-drilling screw 5x30	X2
5	Flat gasket 12x6/Center hole 6mm	X2
6	Triangle hook	X2
7(1)standard	M20 five-set cable drill	X2
7(2)connect	Connect	X1
7(1)connect	M20 five-set cable drill	X1
8	Instructions	X1
9	Grommet	X1
10	4 x 10mm stainless steel self-tapping screw	X2
11	Accessory bag	X1

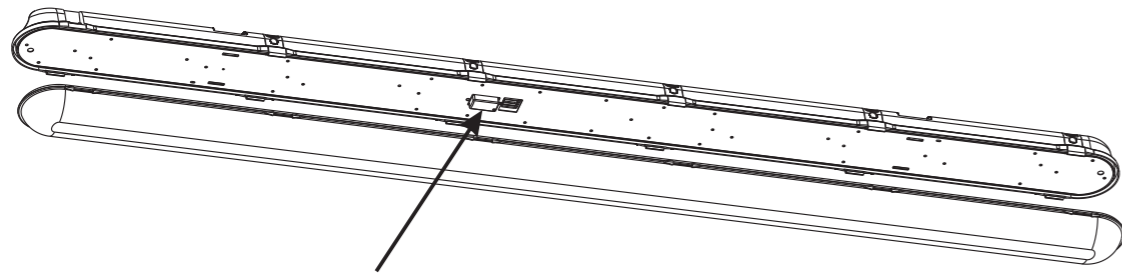


# JULIE LED IP65

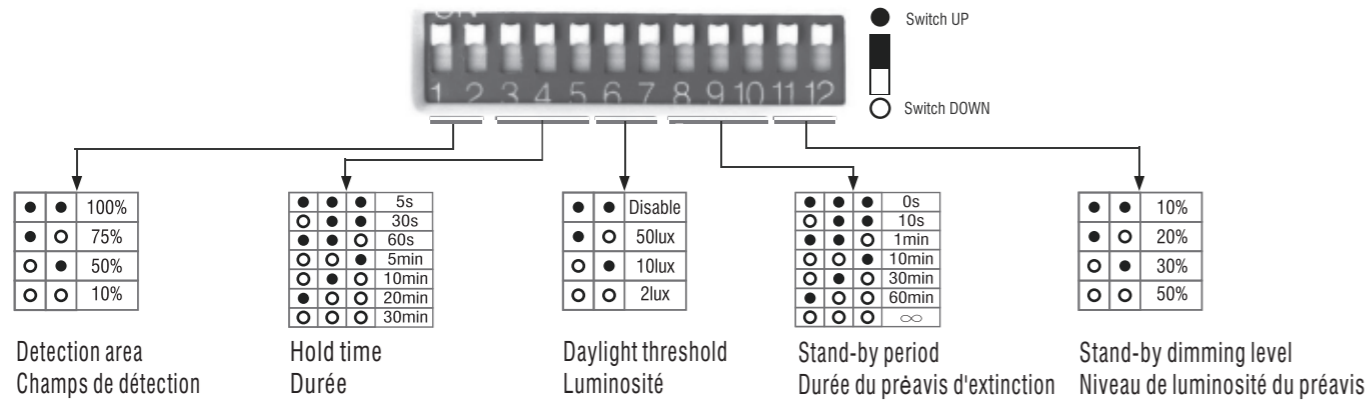


# JULIE LED IP65

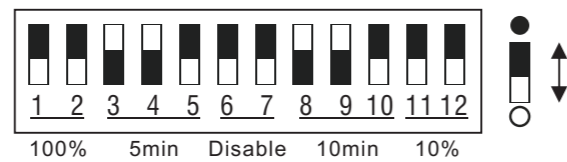
## MWS



### Settings



### Default / Dèfaut



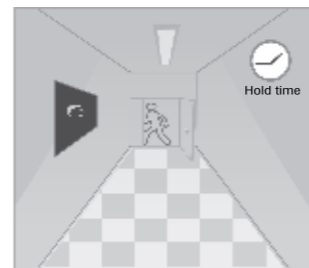
### Application



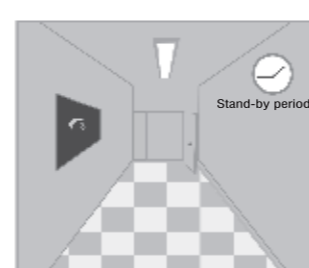
Daylight: light is off  
Luminosité : lumière éteinte



Motion detected: light on  
Détection de présence : lumière allumée



After last motion detection, light dims down to stand-by dimming level (10, 20, 30 or 50%)  
Après dernière détection, la lumière diminue jusqu'au niveau de luminosité du préavis (10, 20, 30 or 50%)



After stand-by period: light turns off  
Après la durée du préavis : la lumière s'éteint

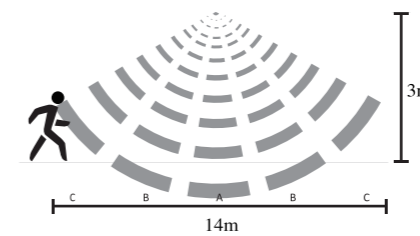
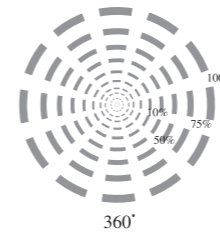
# JULIE LED IP65

## Detection coverage/Champs de détection

### Ceiling Mounted/Installation au plafond

Top View/Vue de dessus

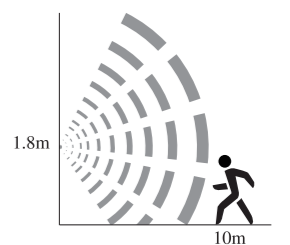
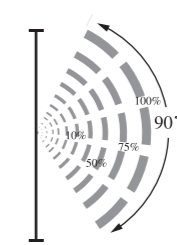
Side View/Vue de côté



### Wall Mounted/Installation au mur

Top View/Vue de dessus

Side View/Vue de côté



NOTE: Above detection coverage is recommended, actual coverage may vary depending on luminaire configuration and environmental conditions.

NB : Ci-dessus champs de détection envisagé, le champs réel dépendra de la configuration du luminaire et de son environnement