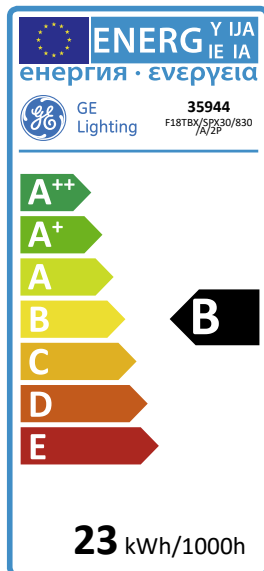




GE  
Lighting



23  
kWh/1000h

B  
energy class

67  
lumens/watt

## Biax™ T 2-pin with Amalgam, Internal Starter

F18TBX/SPX30/830/A/2P

# 35944

### Product information

Ultra compact energy saving CFL lamps with triple-tube design give an ideal light source for small fixtures and downlighters. Biax™ T lamps allow more compact fixture designs with the same lumen output as Biax™ D lamps. They can also be used to deliver higher lumen output from existing designs. The Biax™ T & T/E lamps are electrically interchangeable with Biax™ D and D/E lamps. They are available in 13, 18, 26, 32 and 42W. Light output ranges between 900 and 3200 lumens. Biax™ T/E lamps with a 4-pin electrical connection and without an internal starter are designed for high-frequency electronic ballasts. The use of separate electronic ballasts makes them suitable for almost every kind of energy supply: high and low voltages, accumulators, batteries, solar cells and systems that can be dimmed.

### Application areas



## Product data

|                                    |                       |
|------------------------------------|-----------------------|
| Product Code                       | 35944                 |
| Bulb Shape                         | Hex plug-in           |
| Bulb maximum overall diameter [mm] | 49.3                  |
| Maximum Overall Length [mm]        | 127.4                 |
| Net weight per piece [g]           | 85                    |
| Gross weight per piece [g]         | 125                   |
| Operating position                 | U - Universal         |
| Mercury Content [mg]               | 1.3                   |
| UV radiance                        | exempt                |
| Brand                              | General Electric (GE) |
| Cap/Base                           | GX24d-2               |

## Performance data

|   |       |
|---|-------|
| Colour Code                                     | 830   |
| Weighted energy consumption [kWh/1000h]         | 22.1  |
| Energy efficiency class (EEC)                   | B     |
| Rated Life [h]                                  | 10000 |
| Nominal correlated colour temperature (CCT) [K] | 3000  |
| Nominal lumens [lm]                             | 1200  |
| Colour Rendering Index (CRI) [Ra]               | 82    |

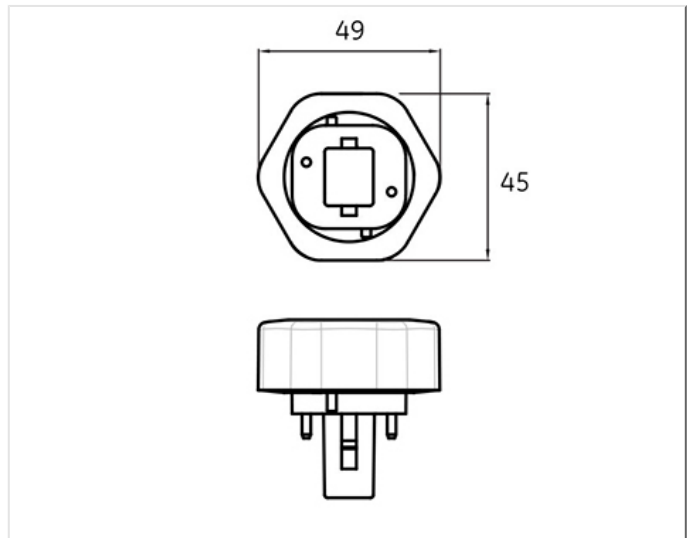
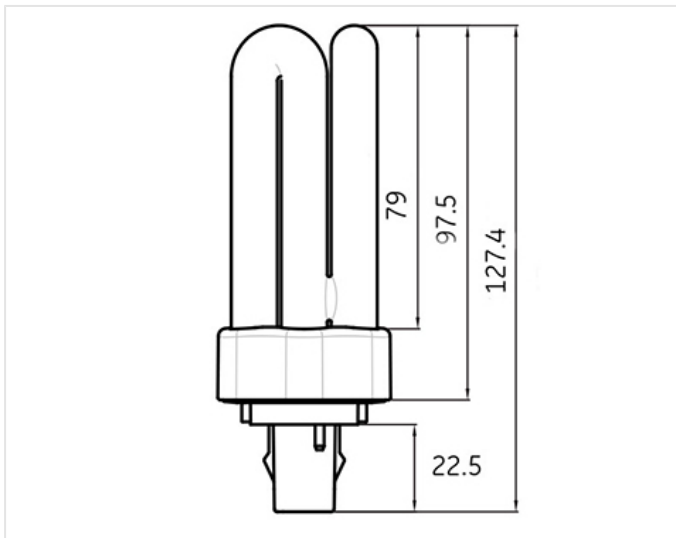
## Electrical data

|                                    |     |
|------------------------------------|-----|
| Operating Temperature (MIN) [°C]   | -15 |
| Starting ambient temperature range | -15 |
| Dimming Capability                 | No  |
| Nominal power [W]                  | 18  |
| Nominal lamp voltage [V]           | 100 |

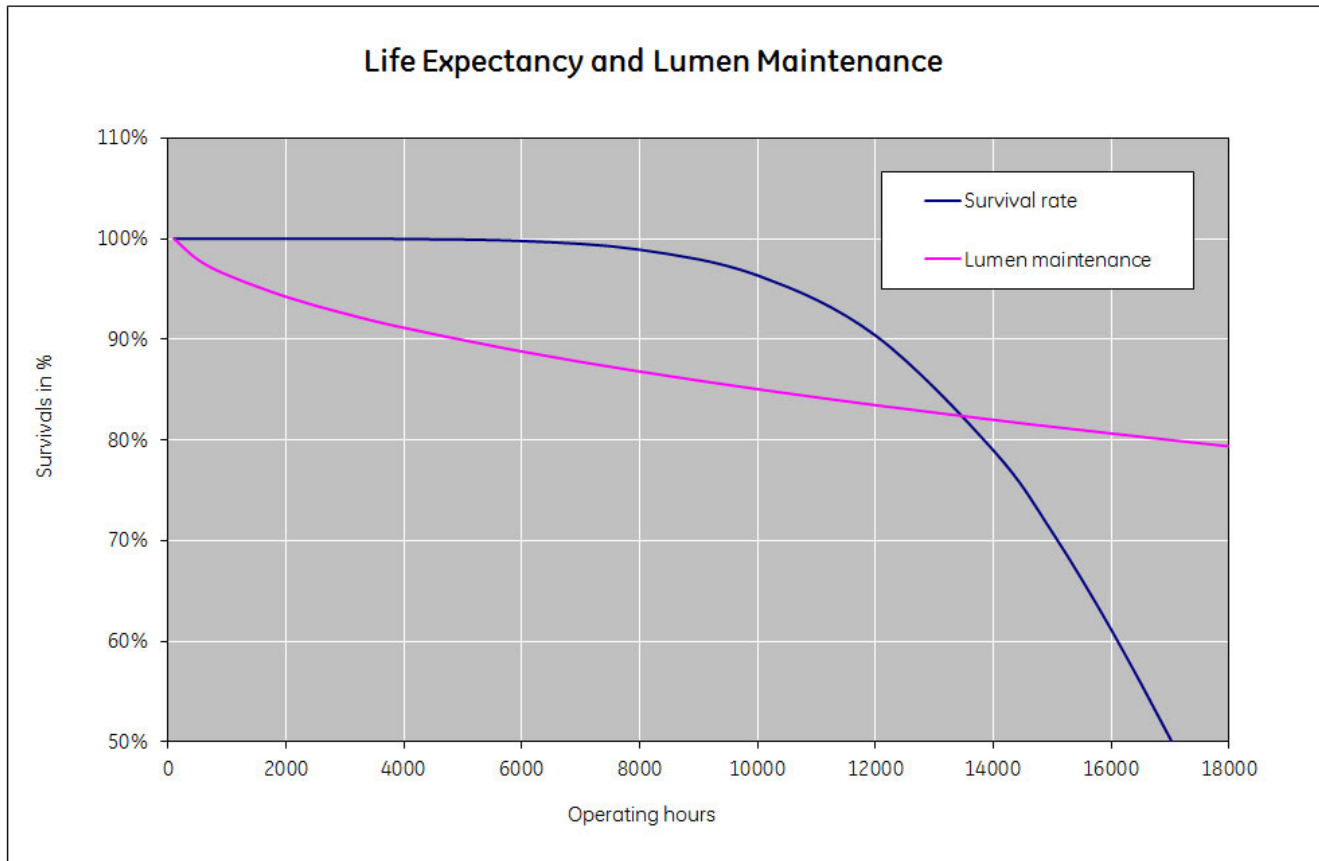
### Logistic data

|                          |                      |
|--------------------------|----------------------|
| DUN Code                 | 00043168359443       |
| EAN Code                 | 0043168359443        |
| Pack Quantity            | 10                   |
| Layer quantity           | 320 EUR, 360 UK      |
| Layer quantity EUR       | 320                  |
| Layer quantity UK        | 360                  |
| Pallet quantity EUR (PC) | 1920                 |
| Pallet quantity UK (PC)  | 2160                 |
| Outer case size          | 263 x 110 x 154 (mm) |
| Product status           | Available            |

### Technical drawing



## Survival data



## Downloads & Links

[Go to the catalog site \(HTTP\)](#)

[CFL Non-Integrated Spectrum Catalogue \(PDF\)](#)

[Biax™ T and T/E Data sheet \(PDF\)](#)

[Lighting design tools & calculators \(HTTP\)](#)

[Disposing and Cleaning of CFL Lamps \(HTTP\)](#)

[High-res images / Technical drawings \(HTTP\)](#)

[Certificate for the Quality Management System of GE Lighting EMEA \(PDF\)](#)

[Certificate for the Environmental Management System of GE Lighting EMEA \(PDF\)](#)